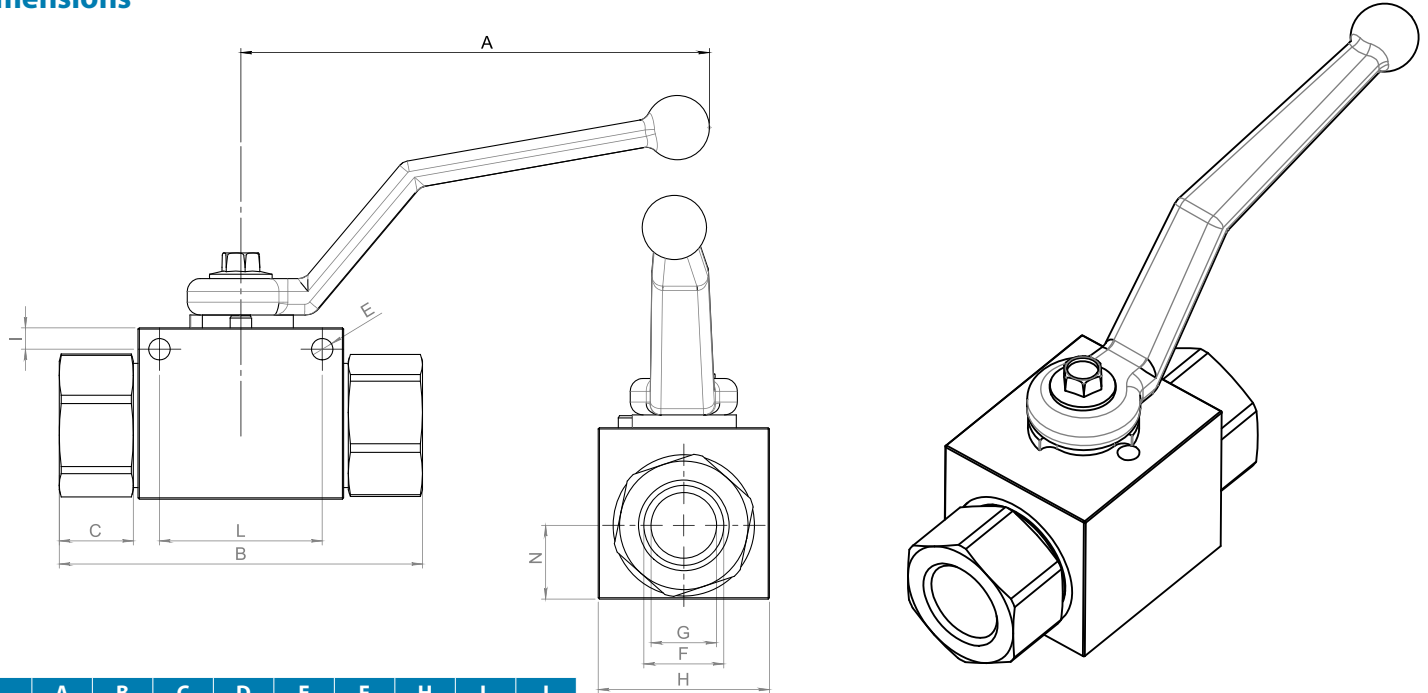
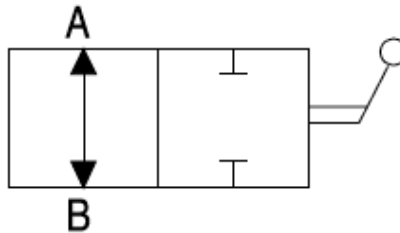


Dimensions



| Size | A | B | C | D | E | F BSP | H | L | I |
|-----------|-----|-----|----|----|-----|----------|----|----|-----|
| 01 | 105 | 69 | 17 | 35 | 4,5 | 1/4 | 25 | 25 | 7,5 |
| 02 | 105 | 73 | 15 | 40 | 5 | 3/8 | 30 | 35 | 5 |
| 03 | 105 | 86 | 19 | 40 | 6 | 1/2 | 40 | 38 | 5 |
| 04 | 160 | 97 | 17 | 55 | 8 | 3/4 | 55 | 49 | 6 |
| 05 | 160 | 114 | 24 | 60 | 8 | 1" | 60 | 55 | 6 |
| 06 | 160 | 125 | 29 | 60 | 8 | 1" 1/4 | 60 | 55 | 6 |
| 07 | 160 | 125 | 29 | 60 | 8 | 1" 1/2 | 60 | 55 | 6 |

Hydraulic Symbol



Ordering Code

BV2W

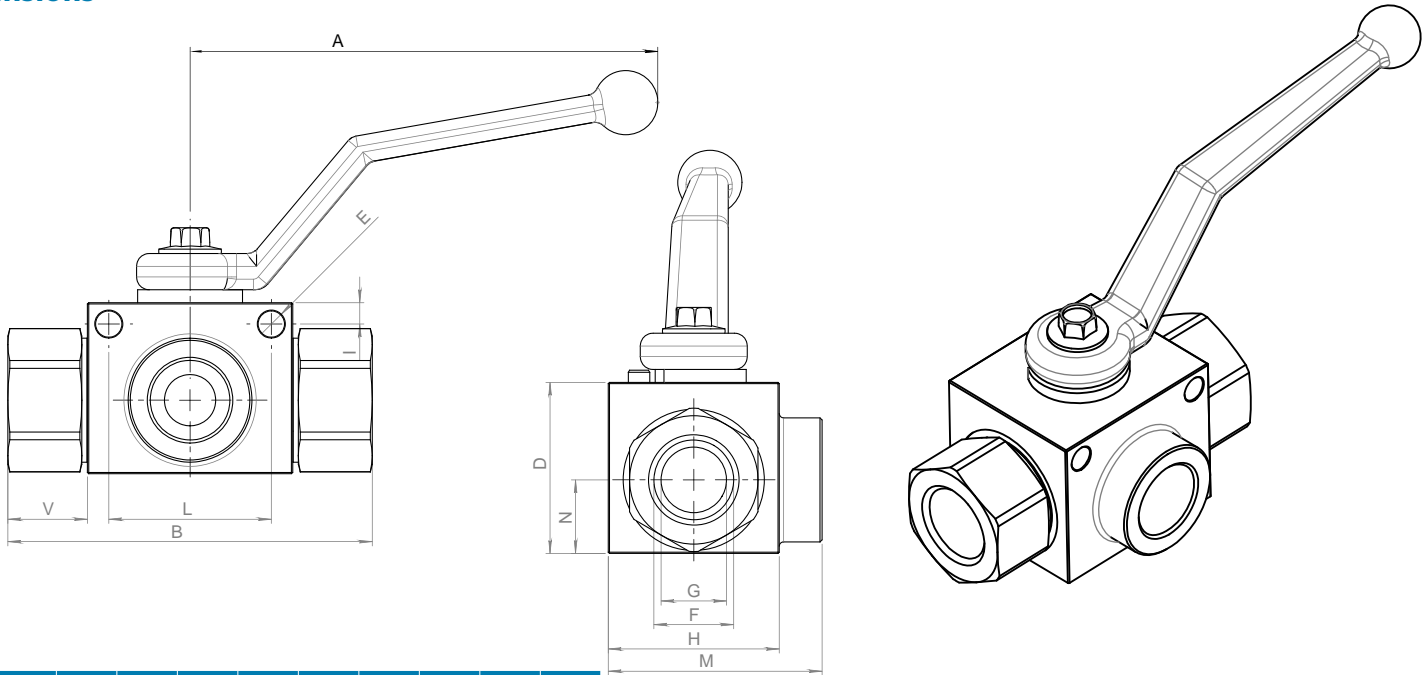
--

Port Size BSP

| | |
|-----------|--------|
| 01 | 1/4 |
| 02 | 3/8 |
| 03 | 1/2 |
| 04 | 3/4 |
| 05 | 1" |
| 06 | 1" 1/4 |
| 07 | 1" 1/2 |

Ordering Code Example: BV2W02 - 3/8" BSP Ports.

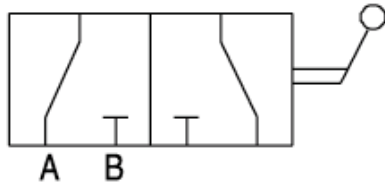
Dimensions



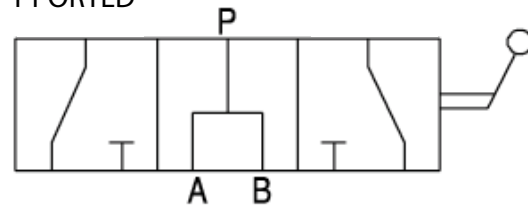
| Size | A | B | C | D | E | F BSP | H | I | L | M |
|------|-----|-----|----|----|-----|----------|----|-----|----|----|
| 01 | 105 | 69 | 17 | 35 | 4,5 | 1/4 | 25 | 7,5 | 25 | 40 |
| 02 | 105 | 73 | 15 | 40 | 5 | 3/8 | 30 | 5 | 35 | 44 |
| 03 | 105 | 85 | 19 | 40 | 6 | 1/2 | 40 | 5 | 38 | 54 |
| 04 | 160 | 97 | 17 | 55 | 8 | 3/4 | 55 | 7 | 49 | 71 |
| 05 | 160 | 114 | 24 | 60 | 8 | 1" | 60 | 6 | 55 | 84 |
| 06 | 160 | 125 | 29 | 60 | 8 | 1" 1/4 | 60 | 6 | 55 | 88 |
| 07 | 160 | 125 | 29 | 60 | 8 | 1" 1/2 | 60 | 6 | 55 | 88 |

Hydraulic Symbol

L PORTED



T PORTED



Ordering Code

BV3W

--

-

Port Size BSP

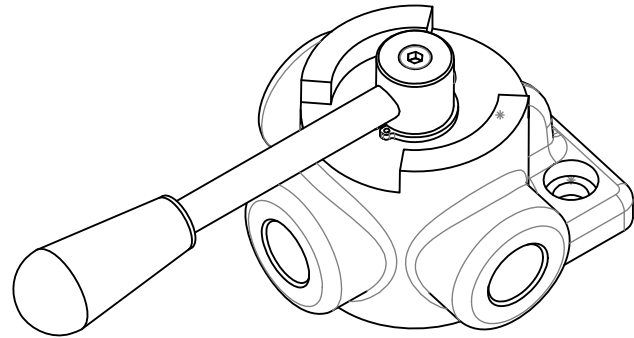
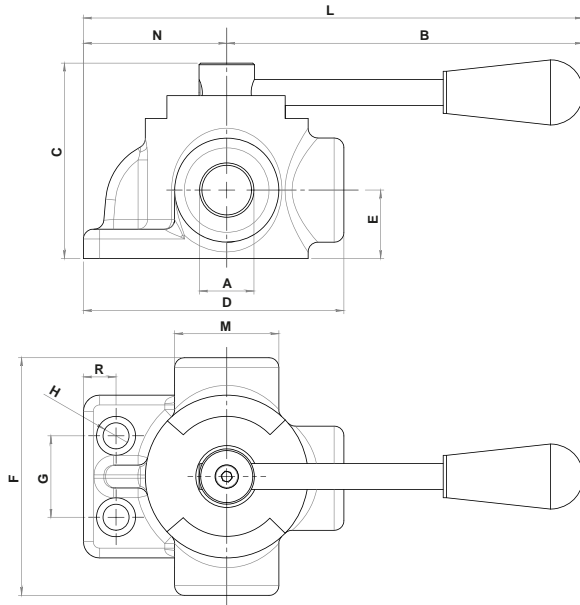
| | |
|----|--------|
| 01 | 1/4 |
| 02 | 3/8 |
| 03 | 1/2 |
| 04 | 3/4 |
| 05 | 1" |
| 06 | 1" 1/4 |
| 07 | 1" 1/2 |

Hydraulic symbol

| | |
|---|----------|
| L | L Ported |
| T | T Ported |

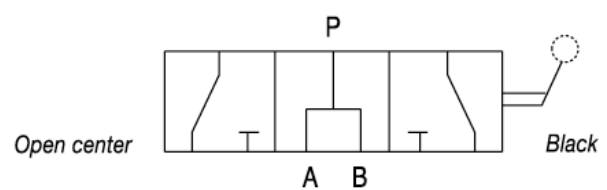
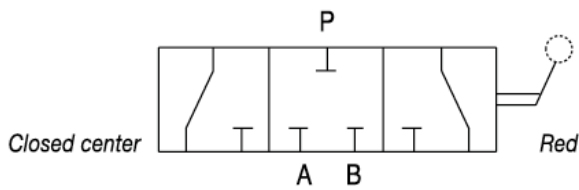
Ordering Code Example: **BV3W02L** - 3/8" BSP Ports, L ported.

Dimensions



| Size | A BSP | B | C | D | E | F | G | H | L | M | N | R | Weight kg |
|-----------|----------|-----|-----|-----|------|-----|----|------|-----|----|----|---|--------------|
| 01 | 1/4 | 128 | 62 | 77 | 21 | 73 | 24 | 8,5 | 169 | 35 | 41 | | 0,95 |
| 02 | 3/8 | 128 | 62 | 77 | 21 | 73 | 24 | 8,5 | 169 | 35 | 41 | | 0,89 |
| 03 | 1/2 | 128 | 70 | 96 | 25 | 85 | 32 | 10,5 | 180 | 40 | 52 | | 1,45 |
| 04 | 3/4 | 125 | 80 | 100 | 28 | 90 | 32 | 10,5 | 180 | 45 | 55 | | 1,82 |
| 05 | 1 | 140 | 90 | 115 | 32,5 | 96 | 32 | 11 | 207 | 56 | 67 | | 2,50 |
| 07 | 1-1/2 | 140 | 115 | 145 | 44 | 130 | 43 | 11 | 220 | 80 | 80 | | 6,20 |

Hydraulic Symbol



Ordering Code

FD3W

--

-

Port Size BSP

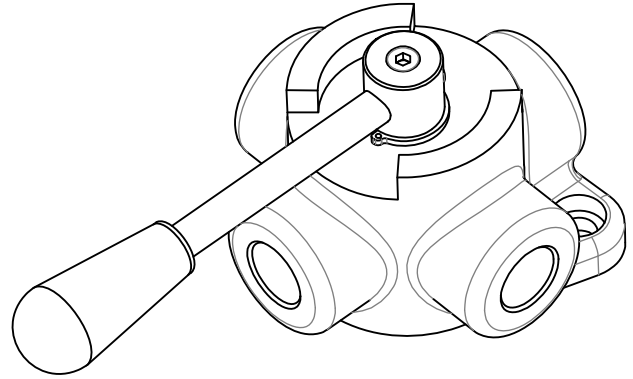
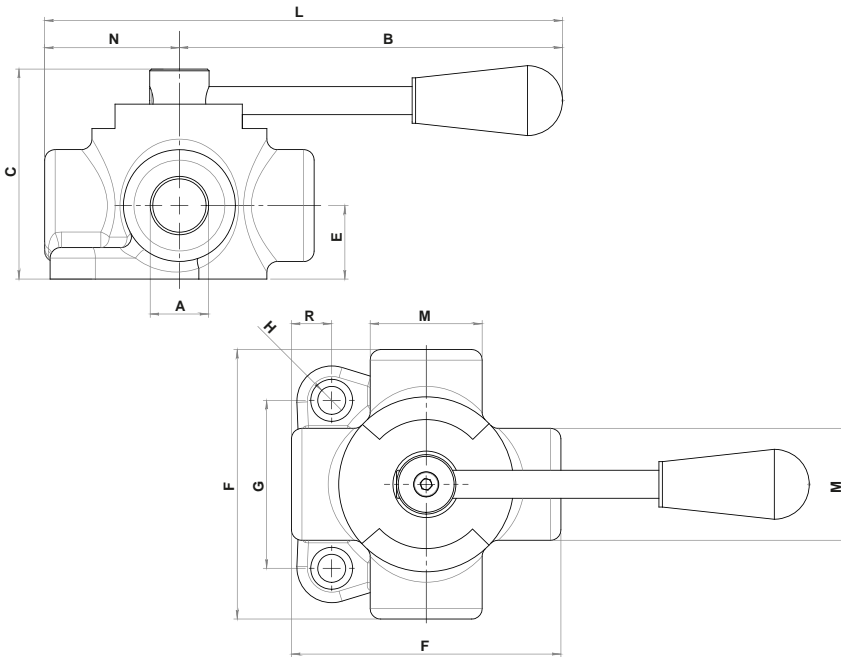
| | |
|-----------|--------|
| 01 | 1/4 |
| 02 | 3/8 |
| 03 | 1/2 |
| 04 | 3/4 |
| 05 | 1" |
| 07 | 1" 1/2 |

Hydraulic symbol

| | |
|----------|---------------|
| O | Open Center |
| C | Closed Center |

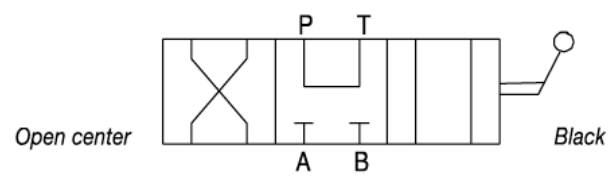
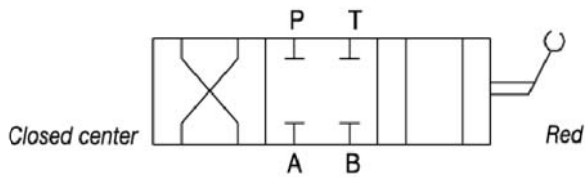
Ordering Code Example: FD3W02O - 3/8" BSP Ports, open center.

Dimensions



| Size | A BSP | B | C | E | F | G | H | L | M | N | R | Weight kg | Max Pressure bar |
|-----------|----------|-----|----|----|----|------|-----|-----|----|----|----|--------------|---------------------|
| 01 | 1/4 | 126 | 70 | 24 | 77 | 53,5 | 8,5 | 165 | 35 | 39 | 11 | 1,33 | |
| 02 | 3/8 | 126 | 70 | 24 | 77 | 53,5 | 8,5 | 165 | 35 | 39 | 11 | 1,27 | |
| 03 | 1/2 | 123 | 80 | 28 | 90 | 68 | 8,5 | 168 | 42 | 45 | 10 | 1,87 | |
| 04 | 3/4 | 145 | 90 | 32 | 95 | 74 | 8,5 | 195 | 49 | 50 | 12 | 2,50 | |

Hydraulic Symbol



Ordering Code

FD4W

--

-

Port Size BSP

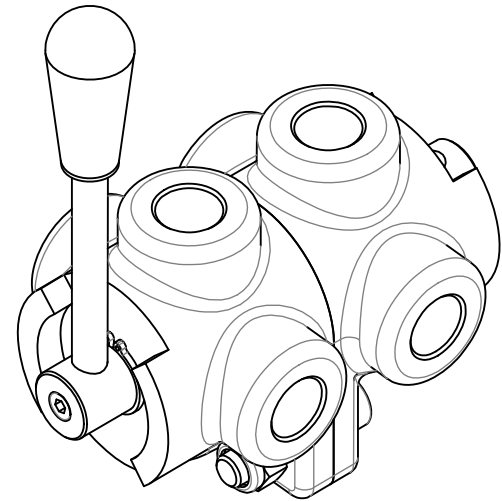
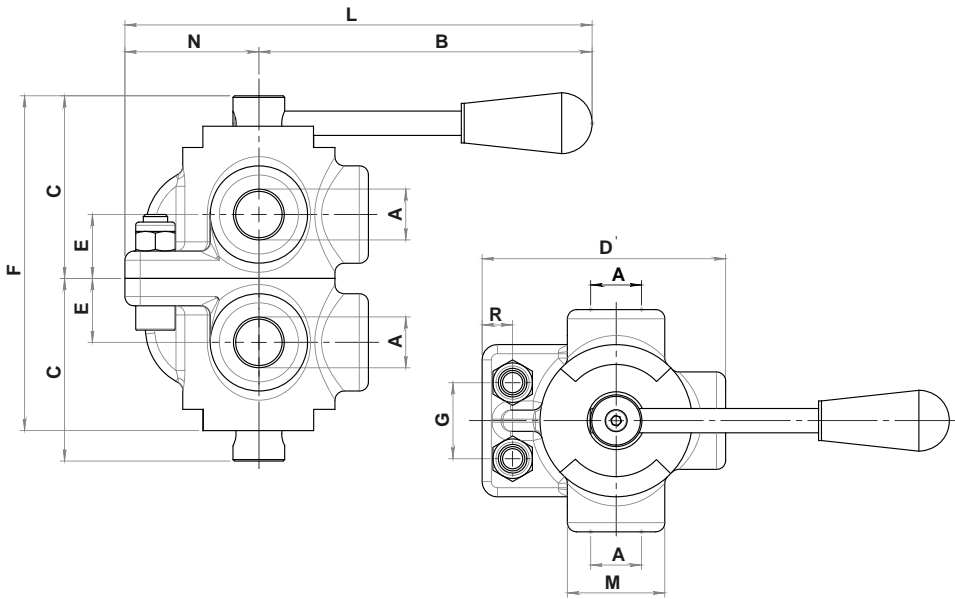
| | |
|-----------|-----|
| 01 | 1/4 |
| 02 | 3/8 |
| 03 | 1/2 |
| 04 | 3/4 |

Hydraulic symbol

| | |
|----------|---------------|
| O | Open Center |
| C | Closed Center |

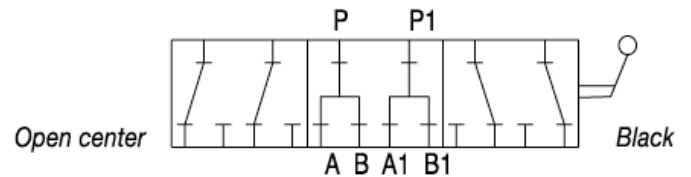
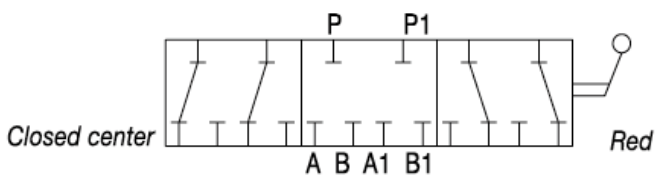
Ordering Code Example: FD4W03C - 1/2" BSP Ports, closed center.

Dimensions



| Size | A BSP | B | C | D | E | F | G | L | M | N | R | Weight kg |
|-----------|----------|-----|----|-----|------|-----|----|-----|----|----|---|--------------|
| 01 | 1/4 | 128 | 62 | 77 | 21 | 146 | 24 | 169 | 35 | 41 | | 1,90 |
| 02 | 3/8 | 128 | 62 | 77 | 21 | 146 | 24 | 169 | 35 | 41 | | 1,78 |
| 03 | 1/2 | 128 | 70 | 96 | 25 | 170 | 32 | 180 | 40 | 52 | | 2,90 |
| 04 | 3/4 | 125 | 80 | 100 | 28 | 180 | 32 | 180 | 45 | 55 | | 3,64 |
| 05 | 1 | 140 | 90 | 115 | 32,5 | 192 | 32 | 207 | 56 | 67 | | 5,00 |

Hydraulic Symbol



Ordering Code

FD6W

--

-

Port Size BSP

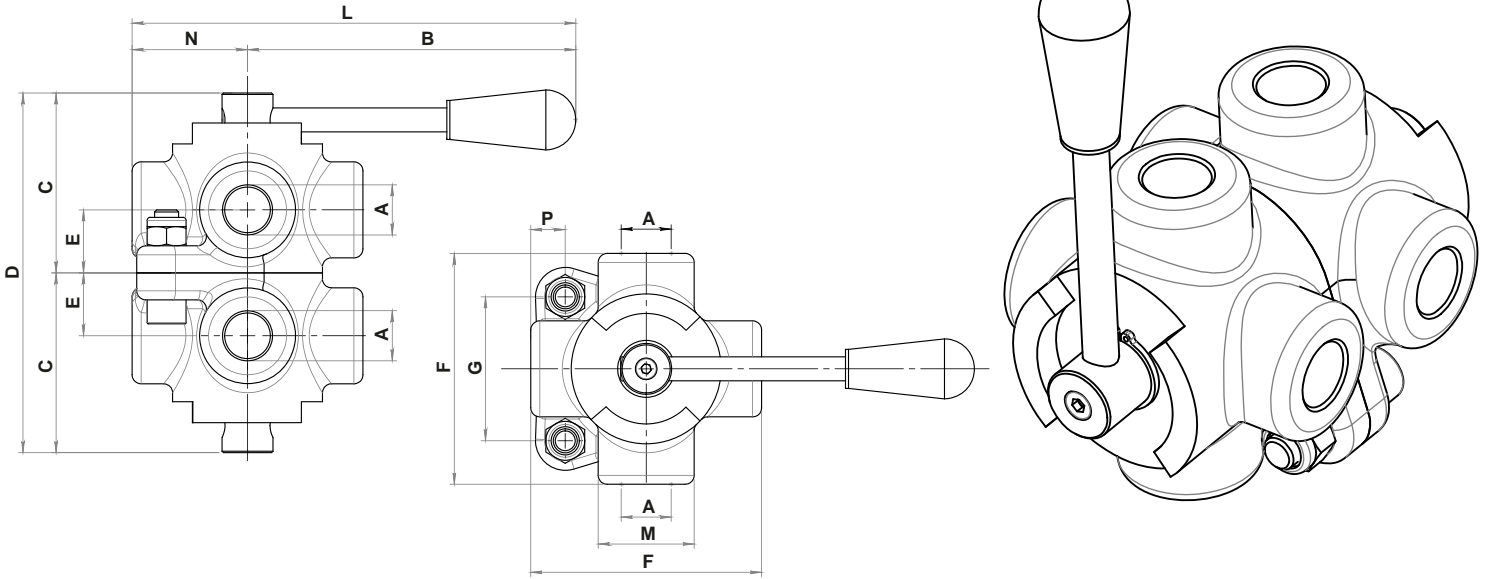
| | |
|-----------|-----|
| 01 | 1/4 |
| 02 | 3/8 |
| 03 | 1/2 |
| 04 | 3/4 |
| 05 | 1" |

Hydraulic symbol

| | |
|----------|---------------|
| O | Open Center |
| C | Closed Center |

Ordering Code Example: FD6W04C - 3/4" BSP Ports, closed center.

Dimensions



| Size | A BSP | B | C | D | E | F | G | L | M | N | R |
|-----------|----------|-----|----|-----|----|----|------|-----|----|----|----|
| 01 | 1/4 | 126 | 70 | 140 | 24 | 77 | 53,5 | 165 | 35 | 39 | 11 |
| 02 | 3/8 | 126 | 70 | 140 | 24 | 77 | 53,5 | 165 | 35 | 39 | 11 |
| 03 | 1/2 | 123 | 80 | 160 | 28 | 90 | 68 | 168 | 42 | 45 | 10 |
| 04 | 3/4 | 145 | 90 | 180 | 32 | 95 | 74 | 195 | 49 | 50 | 12 |

Hydraulic Symbol



Ordering Code

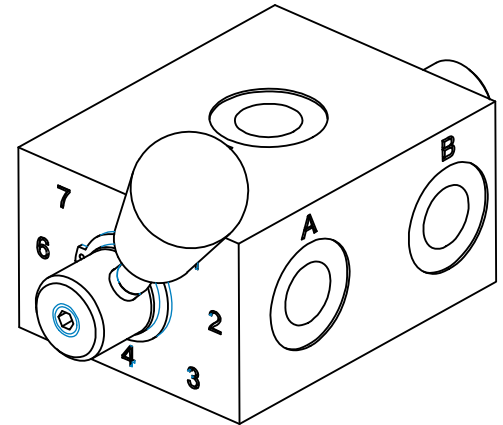
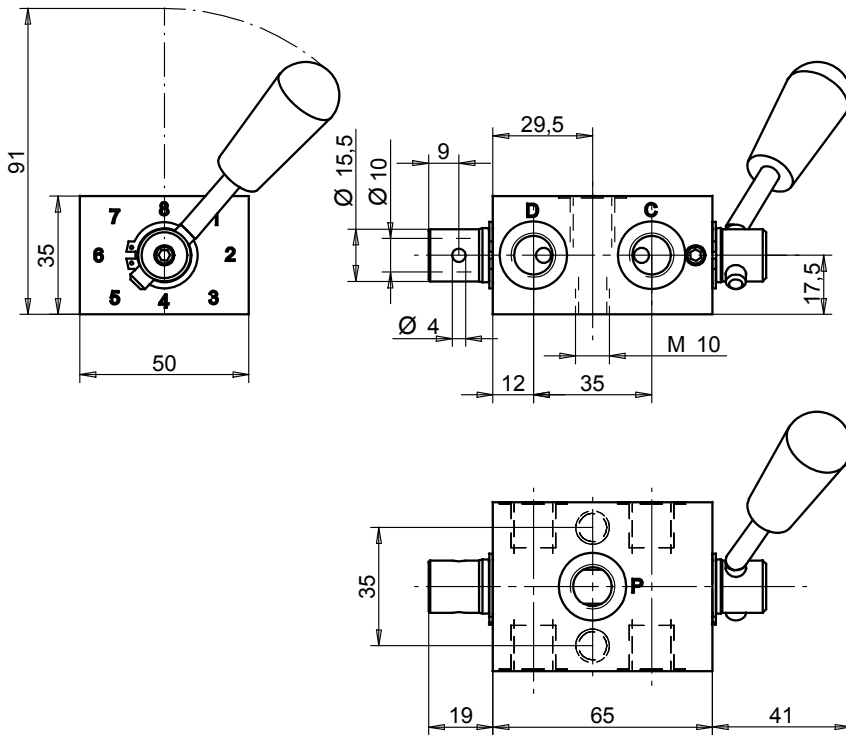
FD8W -- -

| Port Size BSP | |
|---------------|-----|
| 01 | 1/4 |
| 02 | 3/8 |
| 03 | 1/2 |
| 04 | 3/4 |

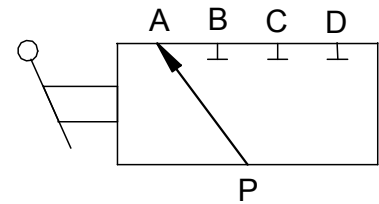
| Hydraulic symbol | |
|------------------|---------------|
| O | Open Center |
| C | Closed Center |

Ordering Code Example: FD8W02O - 3/8" BSP Ports, open center.

Dimensions



Hydraulic Symbol



Features

| | |
|--------------|------------------|
| Max Flow | 40 lpm |
| Max Pressure | 350 bar |
| Ports | P-A-B-C-D: G 1/4 |

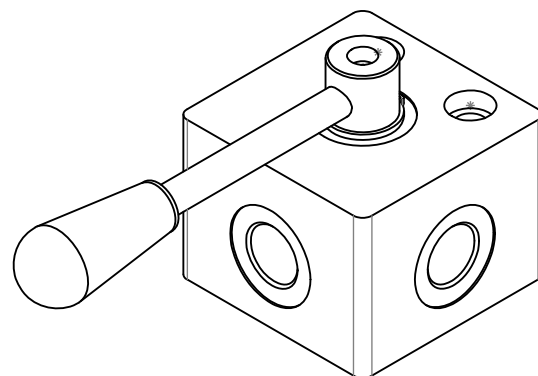
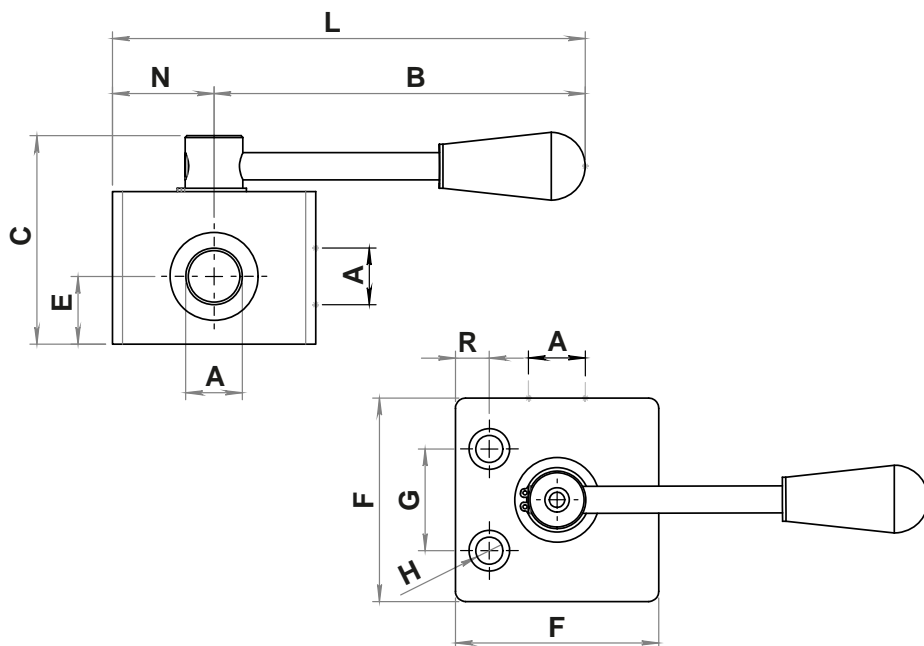
| | | | |
|---|--------------|---|--------------|
| 1 | P ↔ Open → A | 5 | P ↔ Open → C |
| 2 | Closed | 6 | Closed |
| 3 | P ↔ Open → B | 7 | P ↔ Open → D |
| 4 | Closed | 8 | Closed |

Materials: Zinc plated steel manifold, hardened steel inner parts.

Ordering Code

DEV58 01

Dimensions



| Size | A BSP | B | C | E | F | G | H | L | N | R | Weight kg |
|------|----------|-----|----|----|-----|----|-----|-----|----|----|--------------|
| 01 | 1/4 | 127 | 68 | 20 | 60 | 30 | 8,5 | 155 | 30 | 10 | 1,1 |
| 02 | 3/8 | 127 | 68 | 20 | 60 | 30 | 8,5 | 155 | 30 | 10 | 1,1 |
| 03 | 1/2 | 127 | 68 | 20 | 60 | 30 | 8,5 | 155 | 30 | 10 | 1,06 |
| 04 | 3/4 | 127 | 68 | 20 | 80 | 32 | 8,5 | 165 | 40 | 14 | 1,7 |
| 05 | 1 | 127 | 68 | 20 | 100 | 37 | 8,5 | 187 | 50 | 14 | 3,5 |

Hydraulic Symbol



Features

| Size | 01 | 02 | 03 | 04 | 05 |
|--------------|---------|---------|---------|---------|---------|
| Max Pressure | 400 bar | 400 bar | 400 bar | 400 bar | 400 bar |
| Flow | 40 lpm | 60 lpm | 90 lpm | 120 lpm | 190 lpm |
| Ports | G 1/4 | G 3/8 | G 1/2 | G 3/4 | G 1 |

Ordering Code

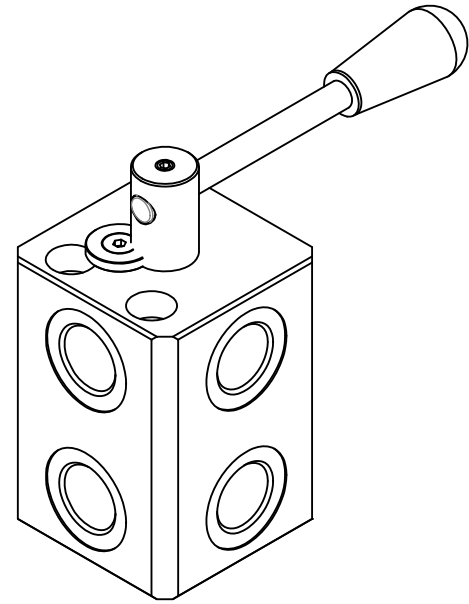
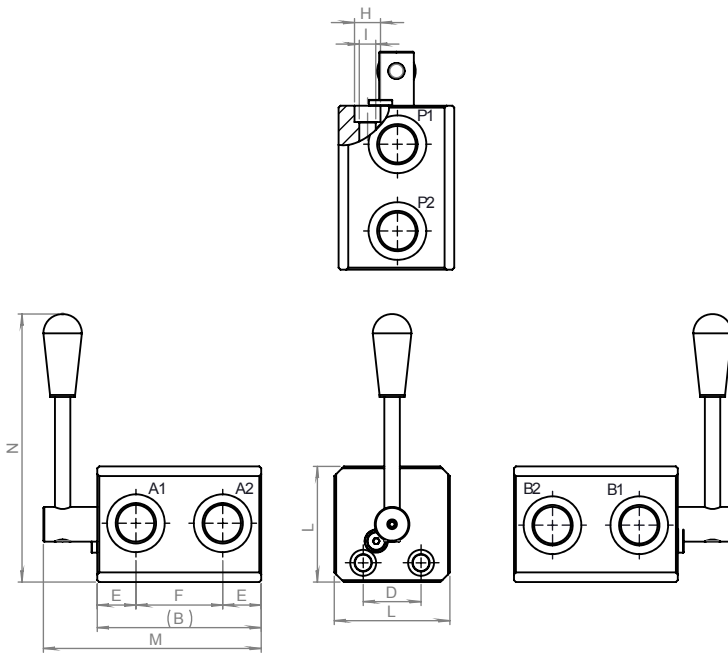
DEV32 -- -

| | Port Size BSP |
|----|---------------|
| 01 | 1/4 |
| 02 | 3/8 |
| 03 | 1/2 |
| 04 | 3/4 |
| 05 | 1 |

| Hydraulic symbol | |
|------------------|---------------|
| O | Open Center |
| C | Closed Center |

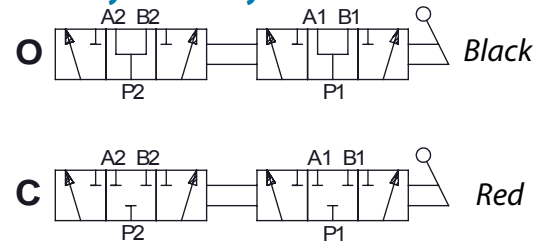
Ordering Code Example: DEV3203C - 1/2" BSP Ports, closed center.

Dimensions



| Size | BSP | B | D | E | F | H | I | L | M | N | Weight (kg) |
|------|-----|----|----|----|----|------|-----|----|-----|-----|-------------|
| 02 | 3/8 | 85 | 30 | 20 | 45 | 13,5 | 8,5 | 60 | 113 | 125 | 2,13 |
| 03 | 1/2 | 85 | 30 | 20 | 45 | 13,5 | 8,5 | 60 | 113 | 125 | 2,10 |
| 04 | 3/4 | 85 | 30 | 20 | 45 | 13,5 | 8,5 | 80 | 113 | 125 | 3,67 |

Hydraulic Symbol



Features

| Size | 02 | 03 | 04 |
|--------------|---------|---------|---------|
| Max Pressure | 350 bar | 350 bar | 350 bar |
| Flow | 60 lpm | 90 lpm | 120 lpm |

Ordering Code

DEV62 -- -

Port Size BSP

| | |
|-----------|-----|
| 02 | 3/8 |
| 03 | 1/2 |
| 04 | 3/4 |

Hydraulic symbol

| | |
|----------|---------------|
| O | Open Center |
| C | Closed Center |

Ordering Code Example: DEV6202C - 3/8" BSP Ports, closed center.